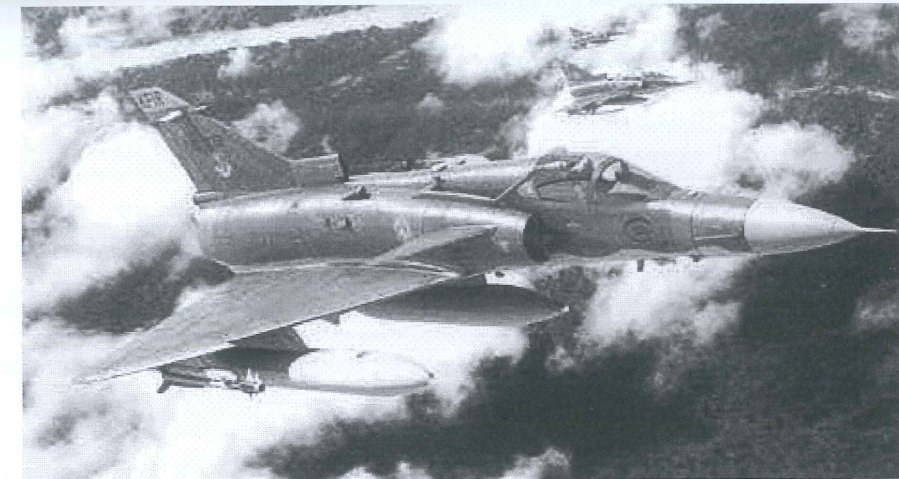


LATIN AMERICAN Kfir C10



Latin American Kfir C10

The Israel Aircraft Industries Kfir (Lion Cub) is an Israeli all-weather multirole combat aircraft based on the French Dassault Mirage 5, with Israeli avionics and an Israeli-built version of the General Electric J79 turbojet engine.

The Kfir entered service with the IAF in 1975, the first units being assigned to the 101st "First Fighter" Squadron. Over the following years, several nations became interested in the Israeli delta wing aircraft. The capacity to play both Air Superiority and Ground Attack roles turn the Kfir into a nice cost/benefit for Air Forces, especially in Latin America.

Kfir C10 was an export variant. It was also referred to as the Kfir 2000. This aircraft fitted with Elta EL/M-2032 multi-mode radar that allowed delivery of precision guided munitions. Also, the Kfir C10 had improved avionics. As a result, surplus Israeli Kfir airframes were made available for export. This version has been exported to Colombia and Ecuador. Some Ecuadorian Kfirs have been upgraded to Kfir CE configuration with Elta EL-2034-5 radar.

The Colombian Air Force Kfir C10s are responsible for the Amazon Forest defense and have had several real operations against the Rebels from FARC in his operational history. Also, they participated several times in the world-famous air war exercise Red Flag. In Ecuador, the Kfir CE was involved in some clashes with the Peruvian aircraft due to border disputes.

CAUTION

- *Read carefully and fully understand the instructions before commencing assembly.
- *Keep out of reach of children. Children must not be allowed to put any parts in their mouths, or pull plastic bag over their heads.
- *When using adhesives and paints, please make sure not to use them in closed room or near the fire.
- *When assembling this kit, tools including knives are used. Extra care should be taken to avoid injury.

WARNING: CONTAIN SMALL PARTS NOT FOR CHILDREN UNDER 14 YEARS OF AGE.



TOOLS RECOMMENDED

Cement 

Side Cutter 

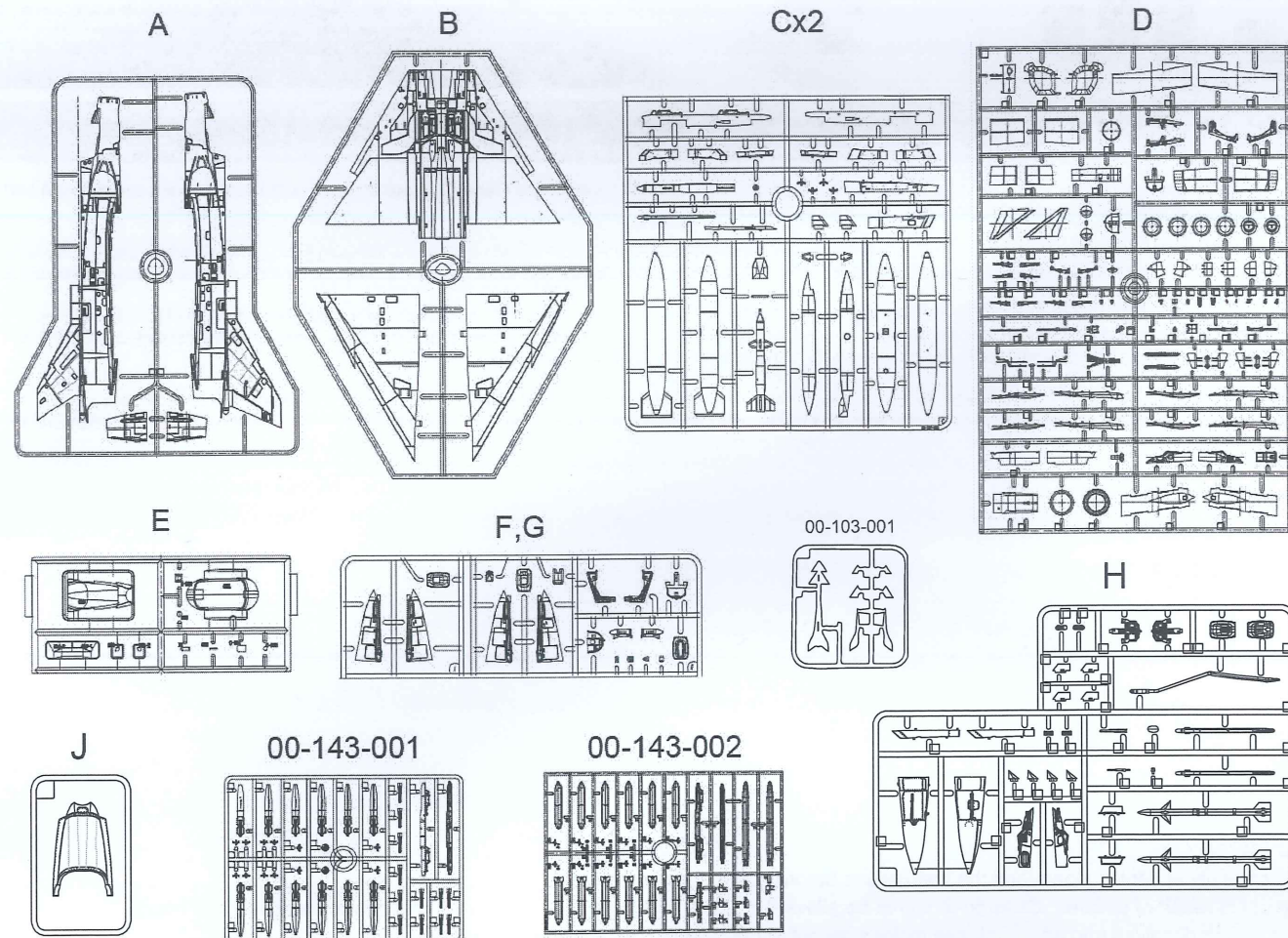
Modeling Knife 

Tweezers 

AFTERMARKET SERVICES CARD

When requesting replacement parts, please take or send this form to your local dealer so that the parts required can be correctly identified. Please note that specifications and availability are subject to change without notice. Or visit <http://www.kineticmodel.com> for latest information. For more information, please contact services@kineticmodel.com

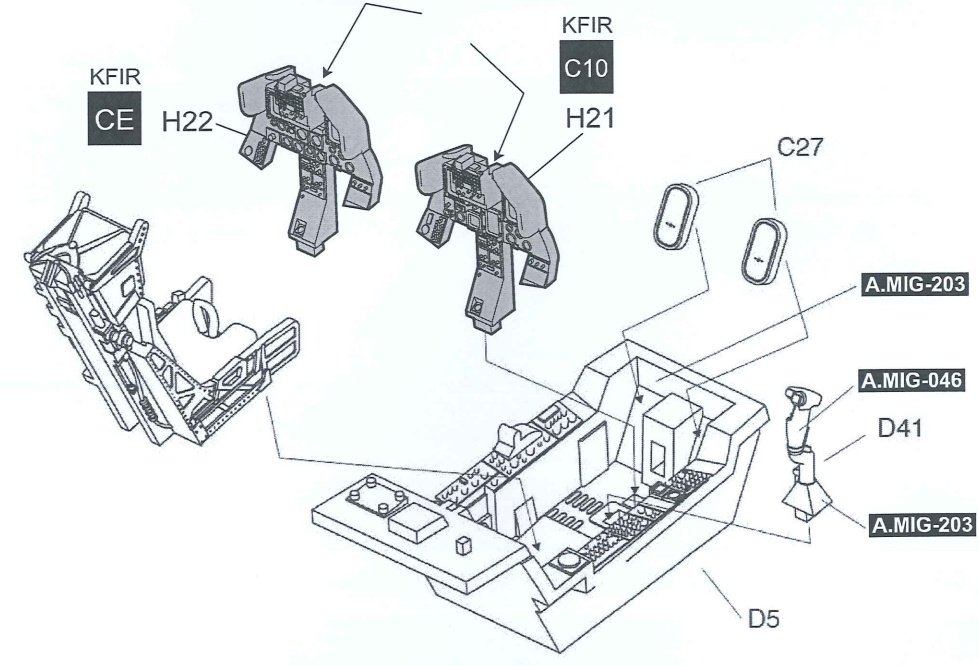
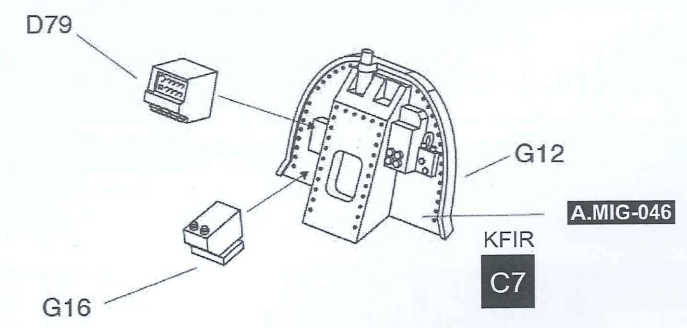
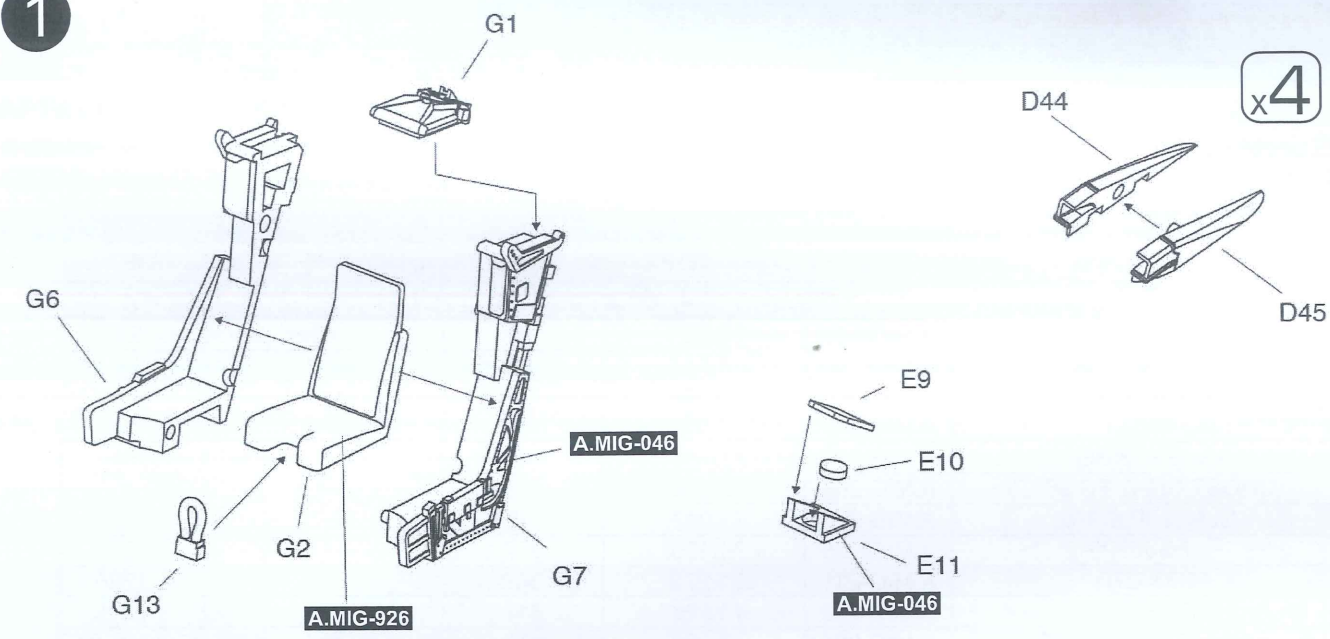
Part Code	K48048	Qty	Item	Part Code	Qty	Item
00-103-001	PYTHON-4	1		00-137-007	1	F
00-137-001	1/48 KFIR C2/C7 FUSELAGE	1	A	00-137-012	1	G
00-137-002	1/48 KFIR WINGS	1	B	00-137-013	1	H
00-137-003	1/48 KFIR FUEL TANK	2	C	00-143-001	1	J
00-137-004	1/48 KFIR/MIRAGE IIIIE COMMON PARTS	1	D	00-143-002	1	
00-137-005	1/48 KFIR CLEAR PARTS	1	E	01-137-48048	1	
00-137-006	1/48 KFIR C2 NOSE	2	F	03-137-48048	1	Manual



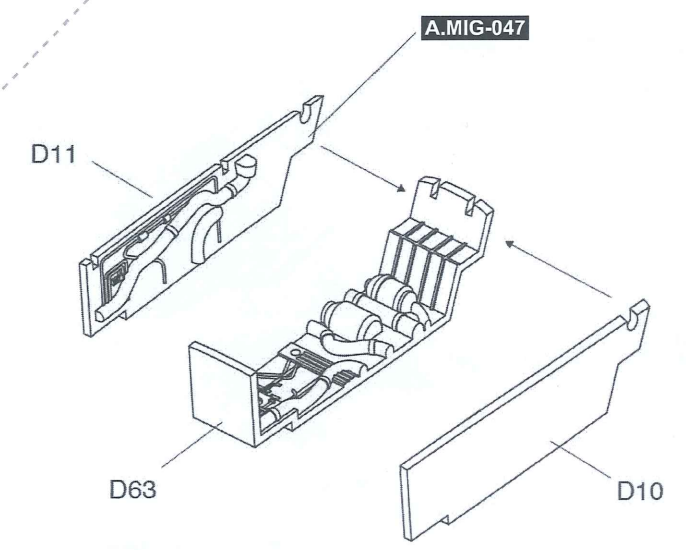
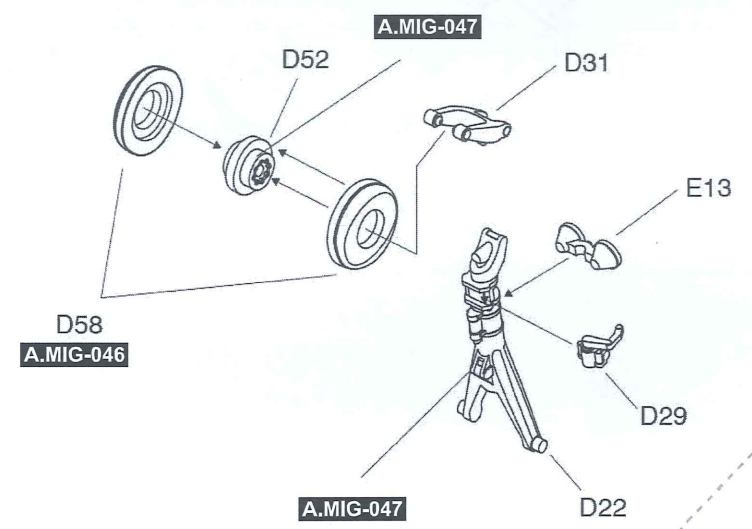
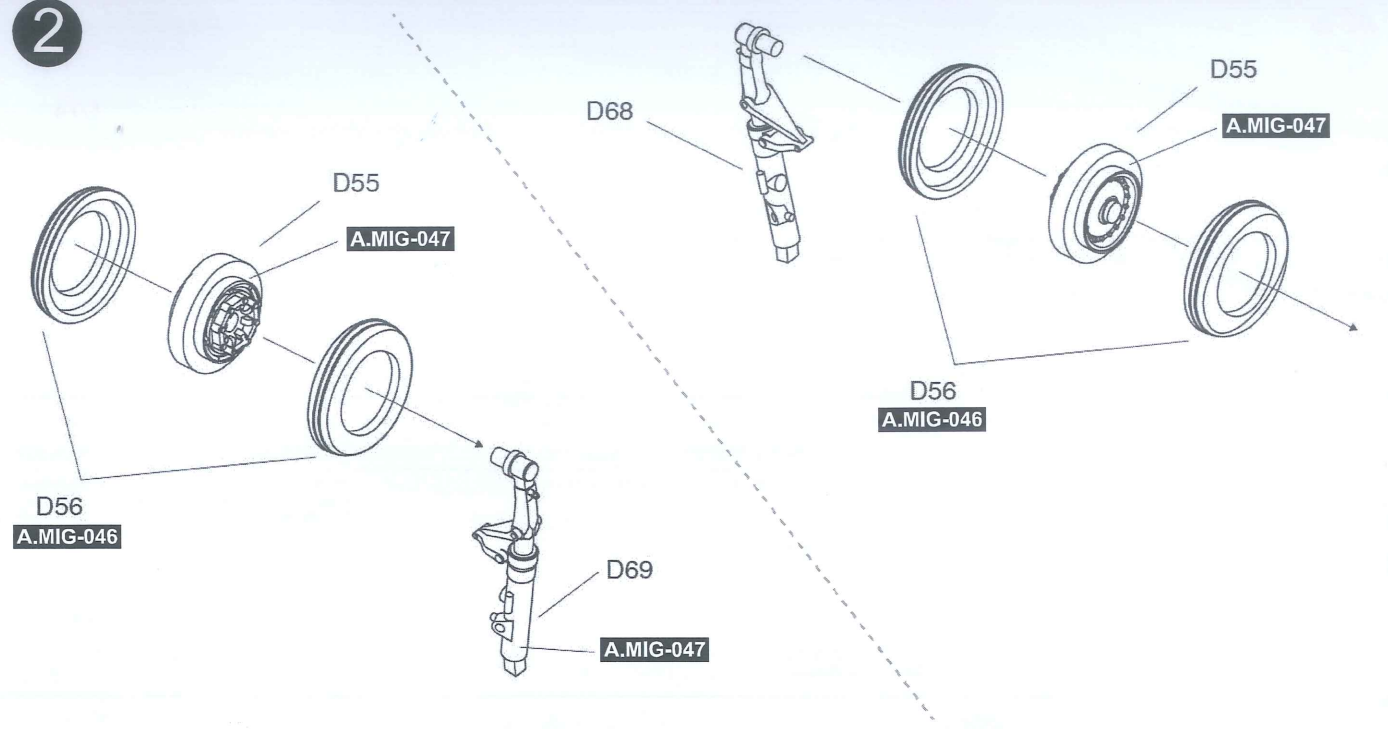
COLOR	AMMO MIG	VALLEJO MODEL COLOR	GSI CREOS MR. COLOR	TAMIYA ENAMEL/ACRYLIC	HUMBROL
BLACK	A.MIG-032	70.861	2	X1	21
MATT BLACK	A.MIG-046	71.057	33	XF-1	33
SATIN WHITE	A.MIG-047	70.842	1	X-2	22
RED	A.MIG-049	71.003	3	XF-7	153
Yellow (FS 13538)	A.MIG-125	71.915	329	-	154
GHOST GRAY FS 36375	A.MIG-203	70.990	308	-	-
GUNSHIP GRAY	A.MIG-204	71.047	305	XF-77	125
FS36320	A.MIG-208	71.120	307	-	128
FS336270	A.MIG-211	71.275	306	-	126
FS36622	A.MIG-226	71.296	311	-	28
OLIVE DRAB BASE	A.MIG-926	71.286	304	-	-
CHROME	A.MIG-8205	71.064	SM206	X-11	MET191
STEEL	A.MIG-191	70.864	28	-	27003

For Color Profile, please go to www.kineticmodel.com for download (type the kit# and go for manual/painting guide)

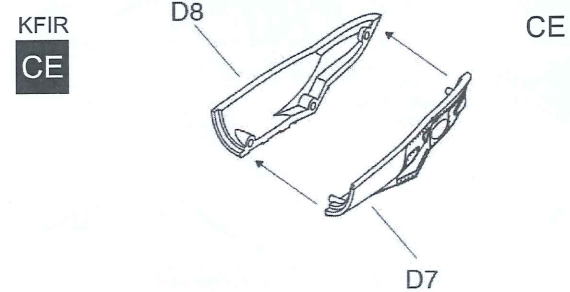
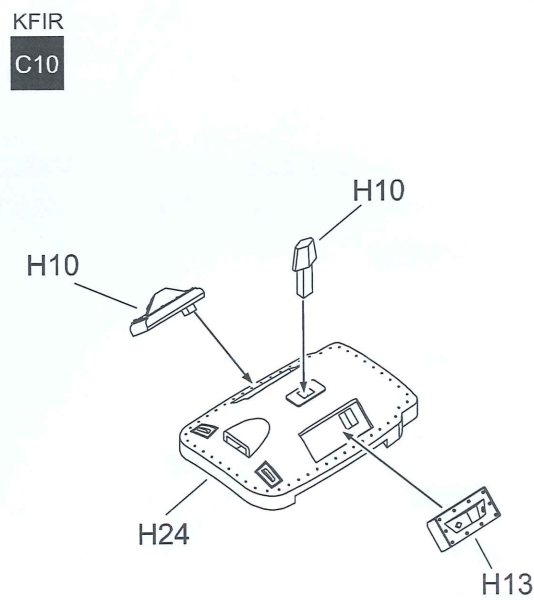
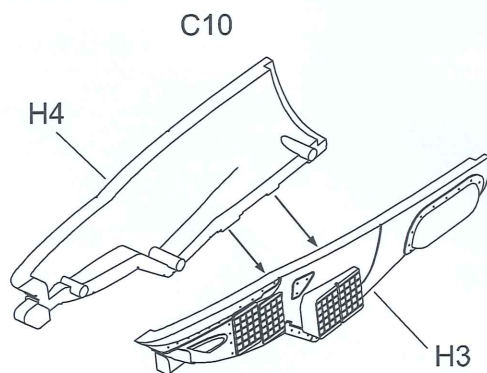
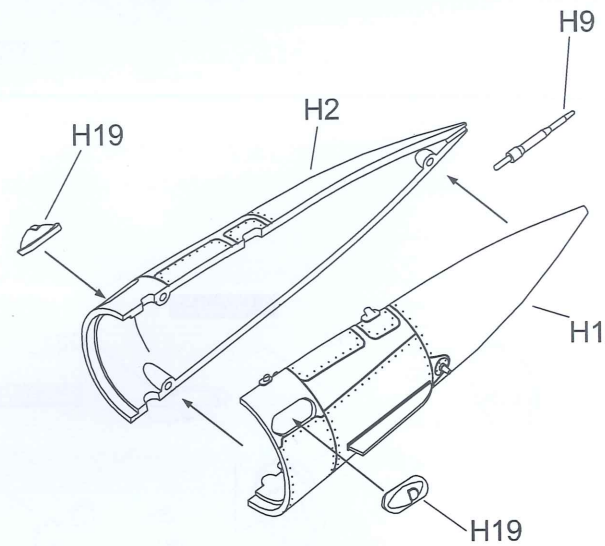
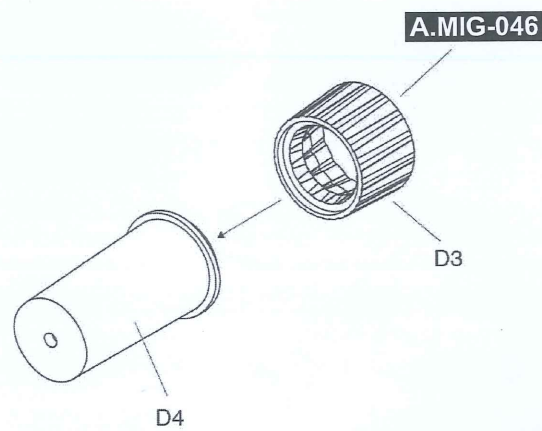
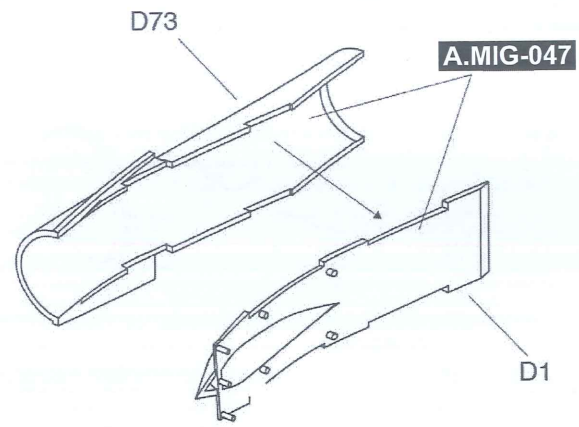
1



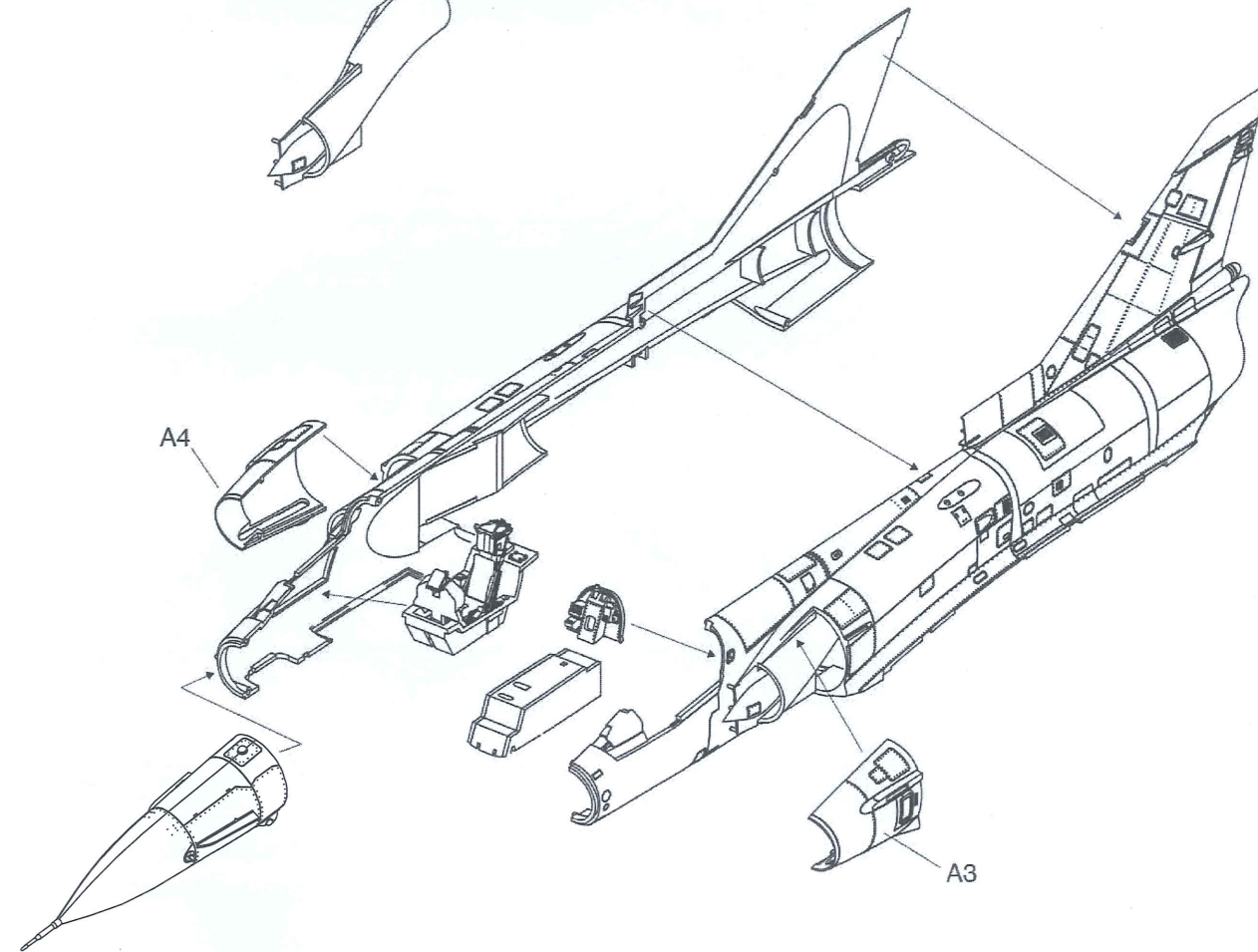
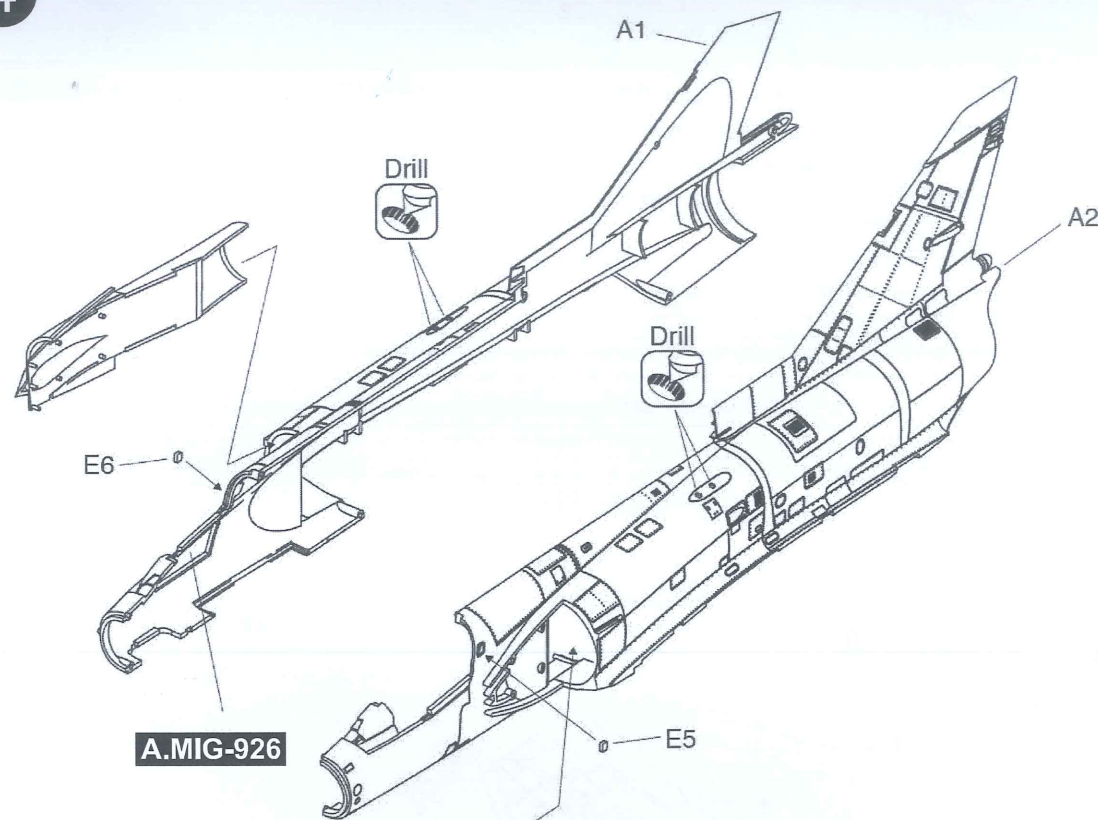
2



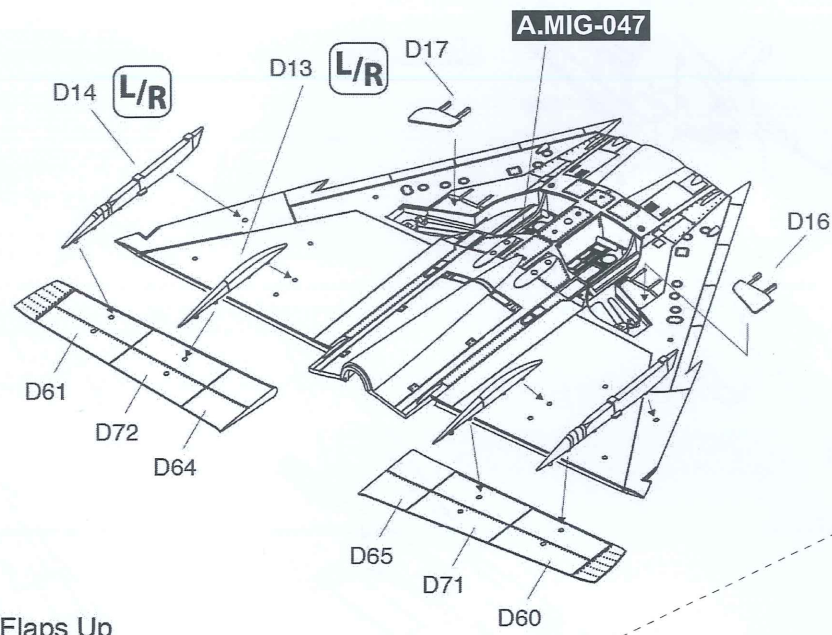
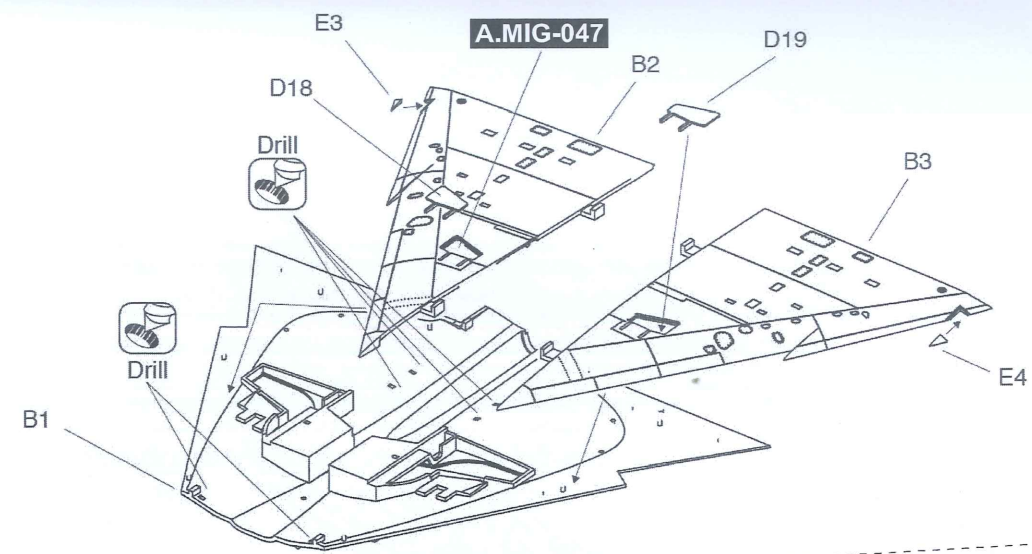
3



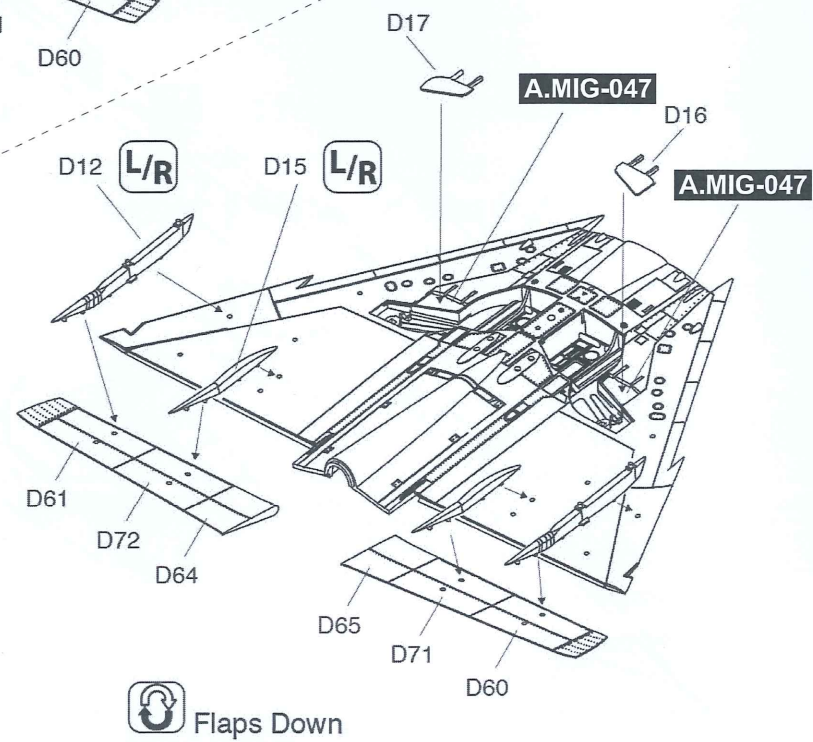
4



5

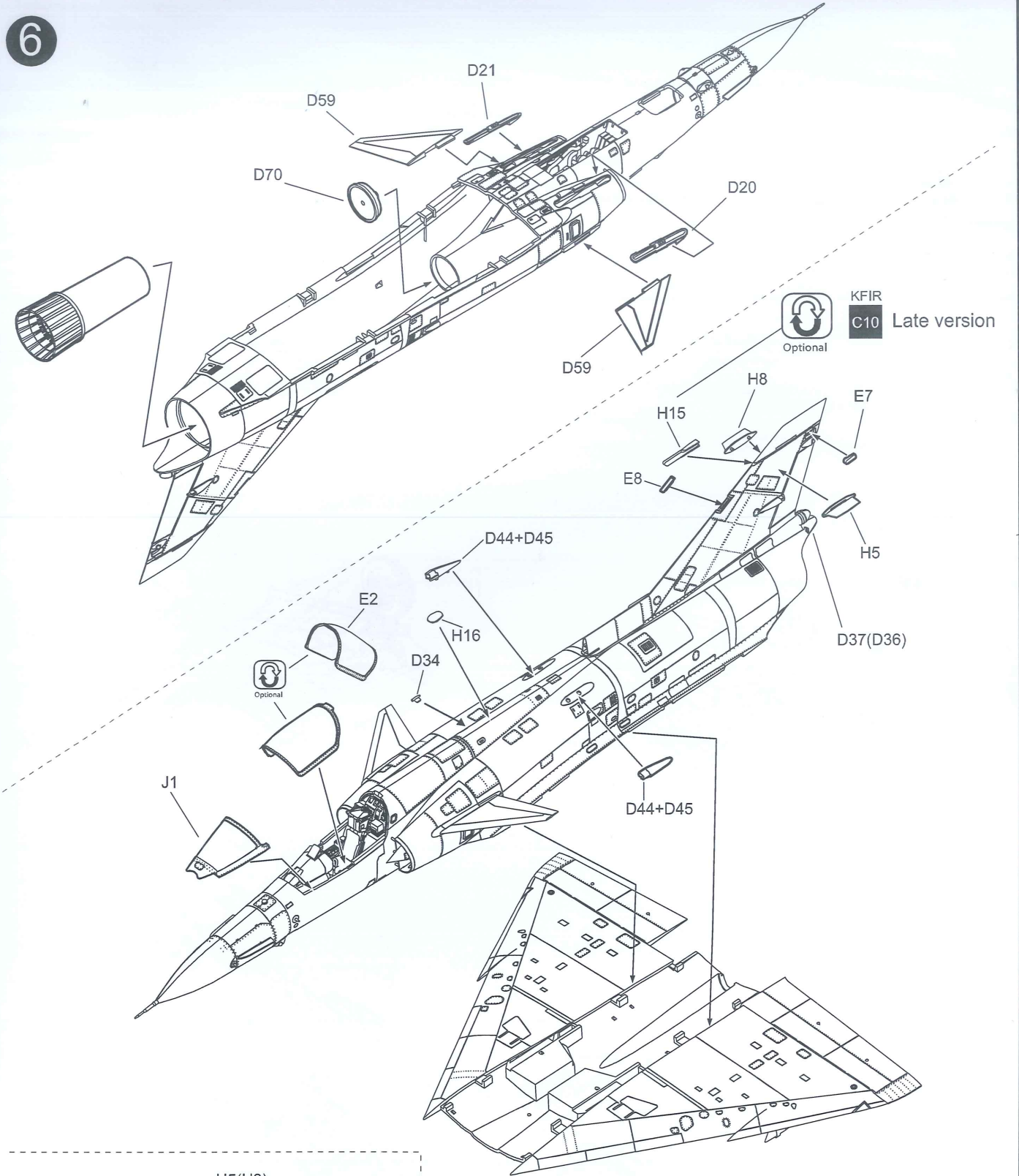


Optional
Flaps Up

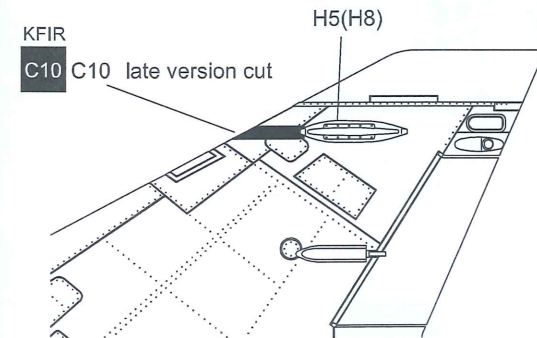


Optional
Flaps Down

6

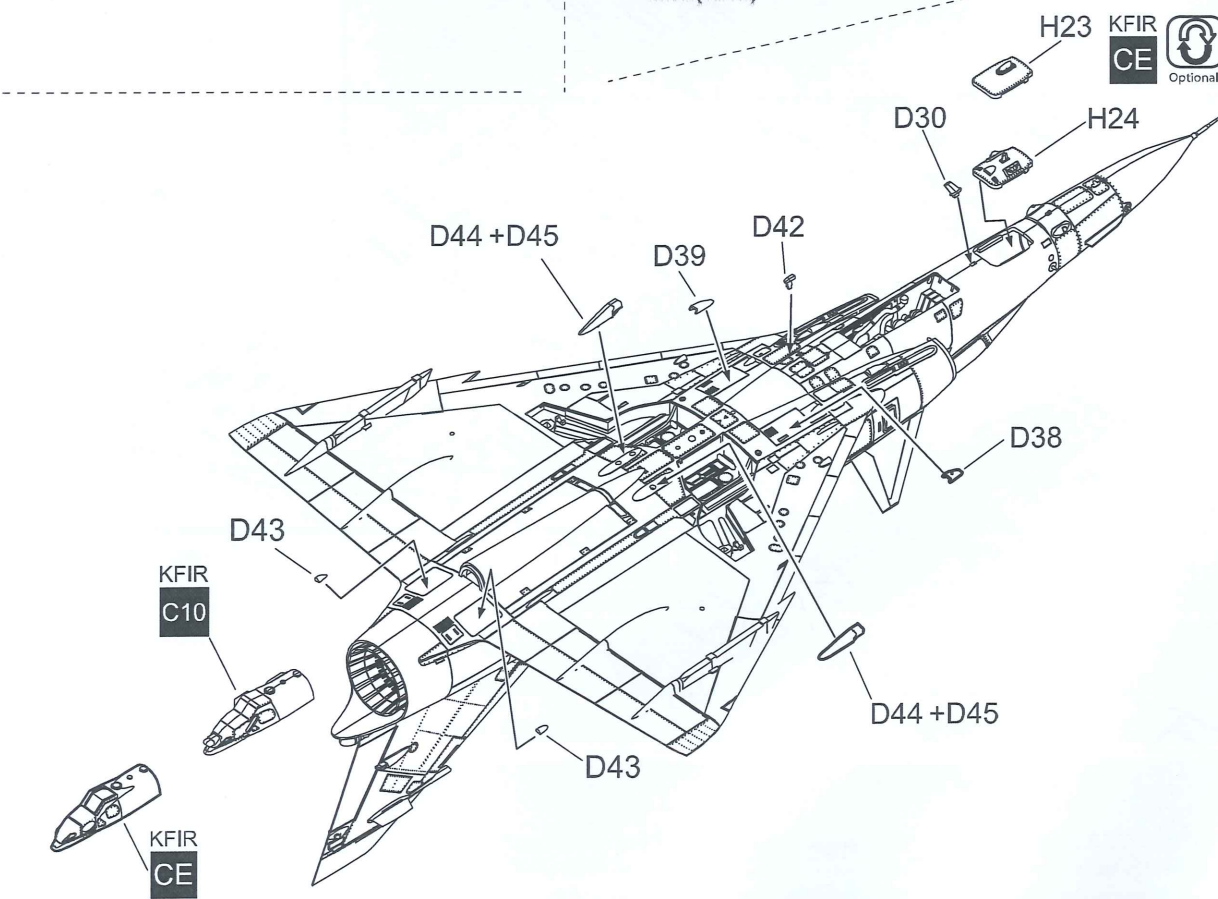
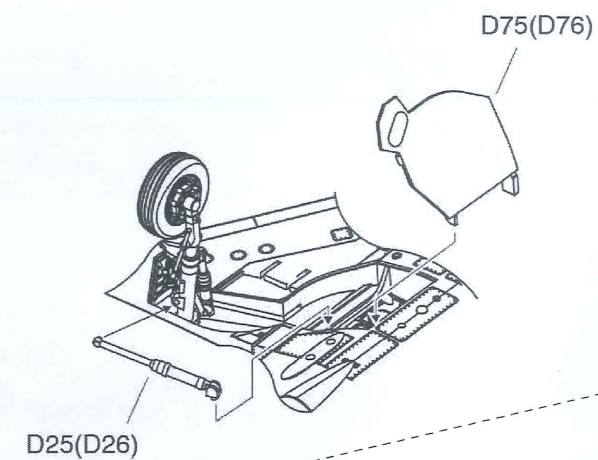
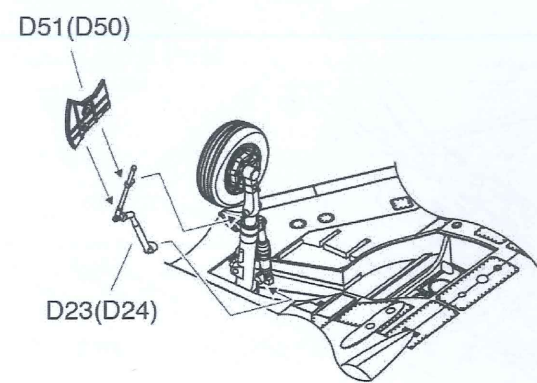
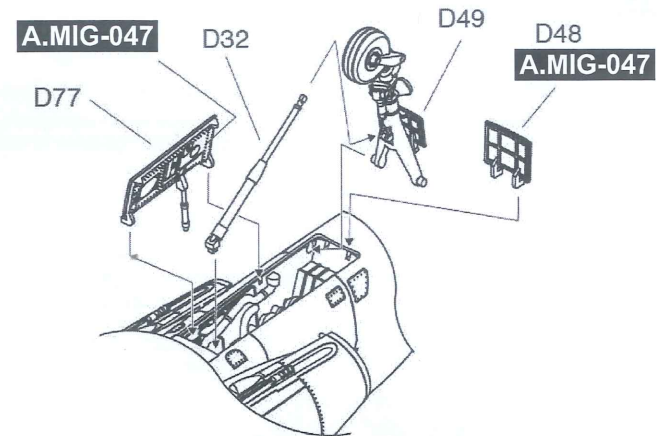
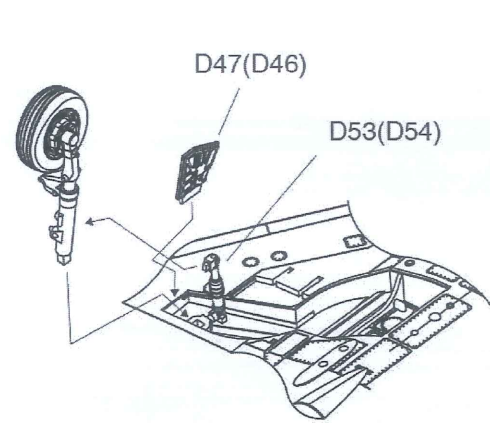


Optional
KFIR
C10 Late version



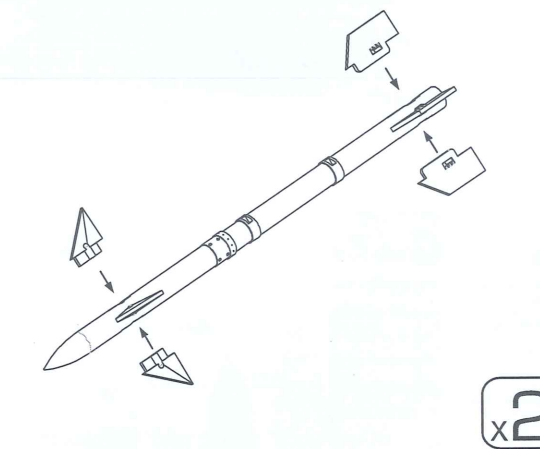
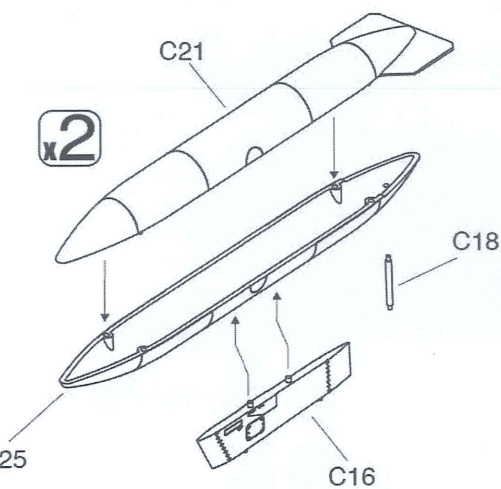
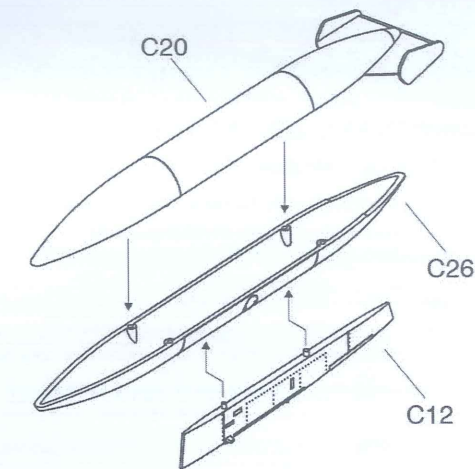
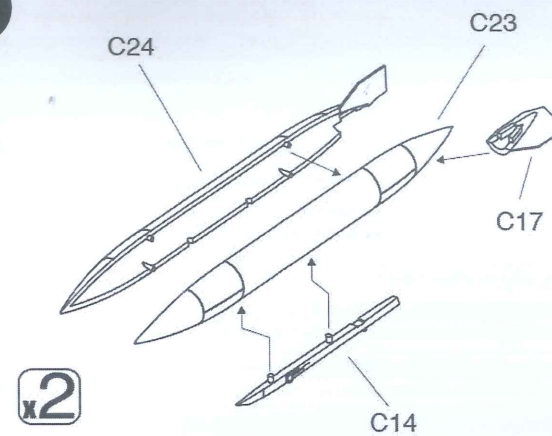
Optional
KFIR
C10 late version cut

7

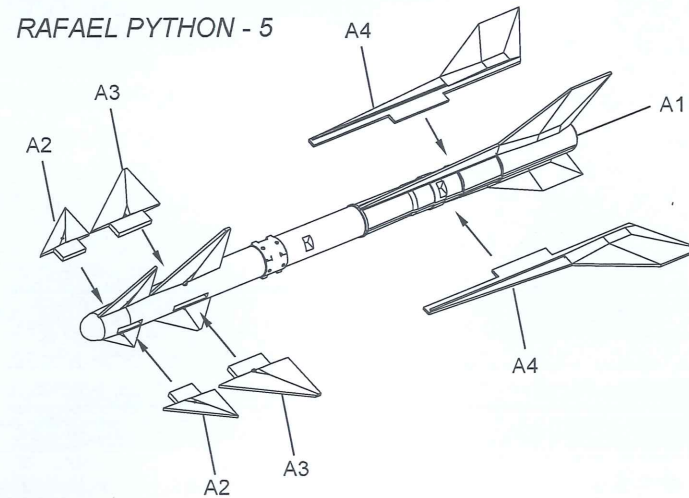


P9

8

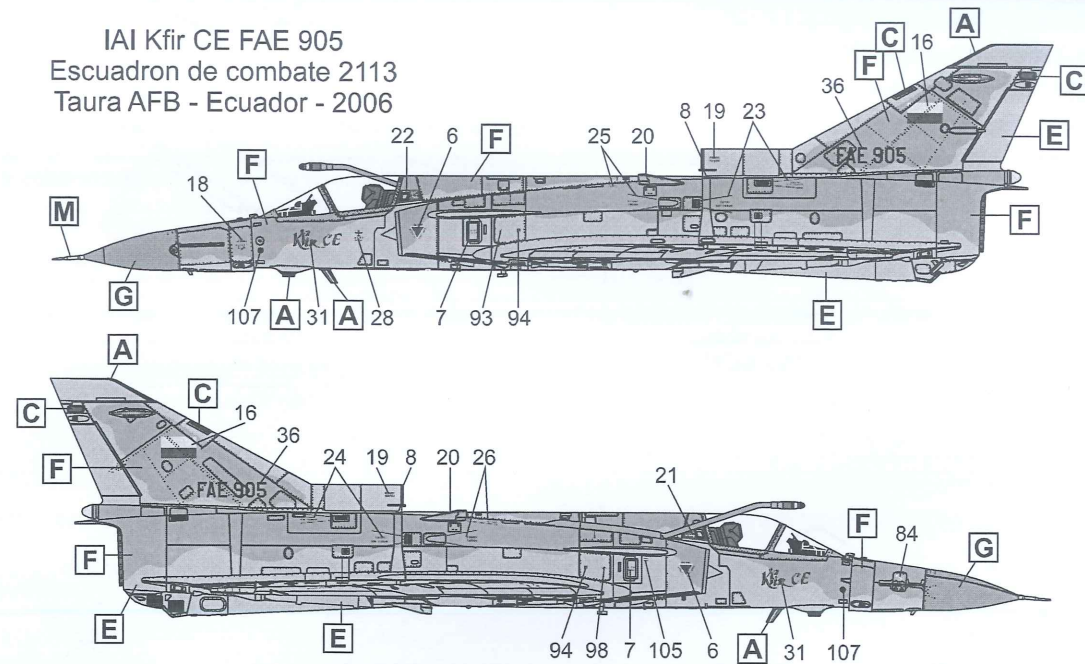


RAFAEL PYTHON - 5

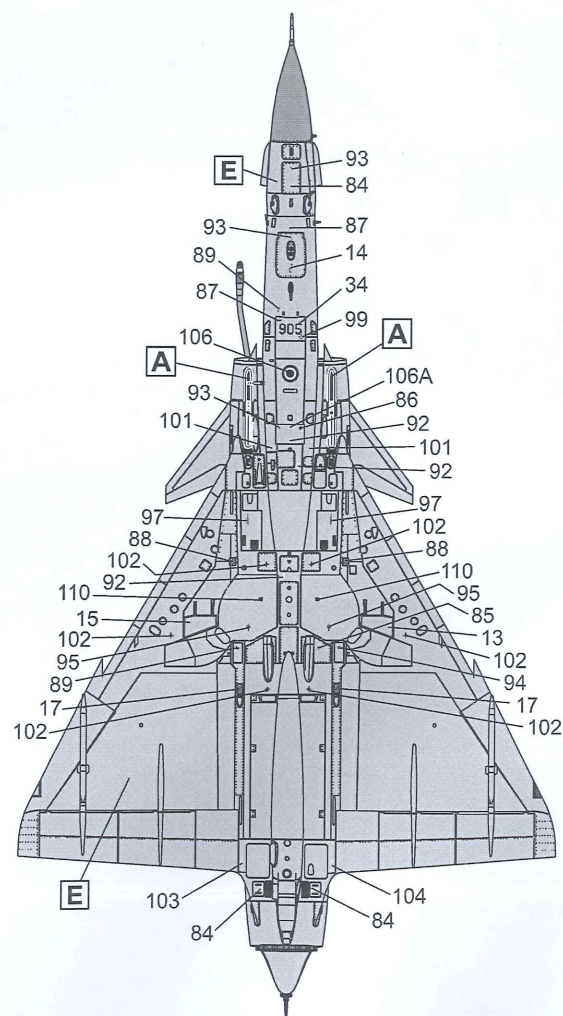
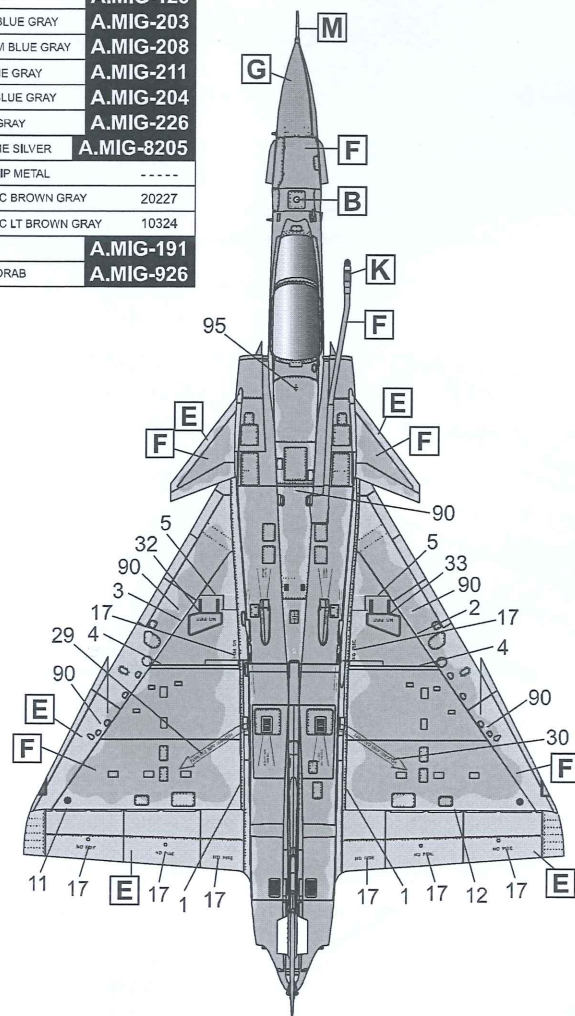


P10

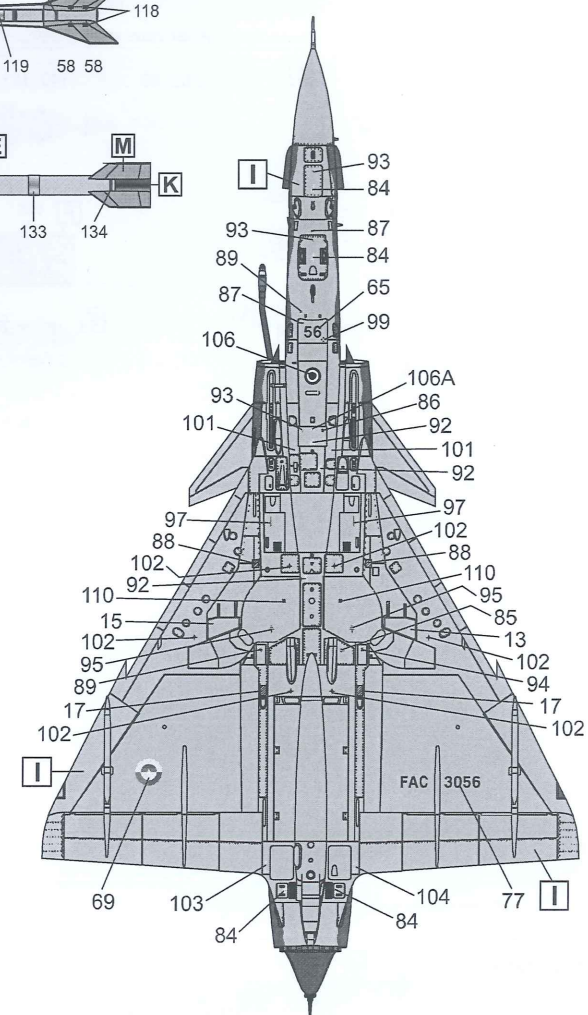
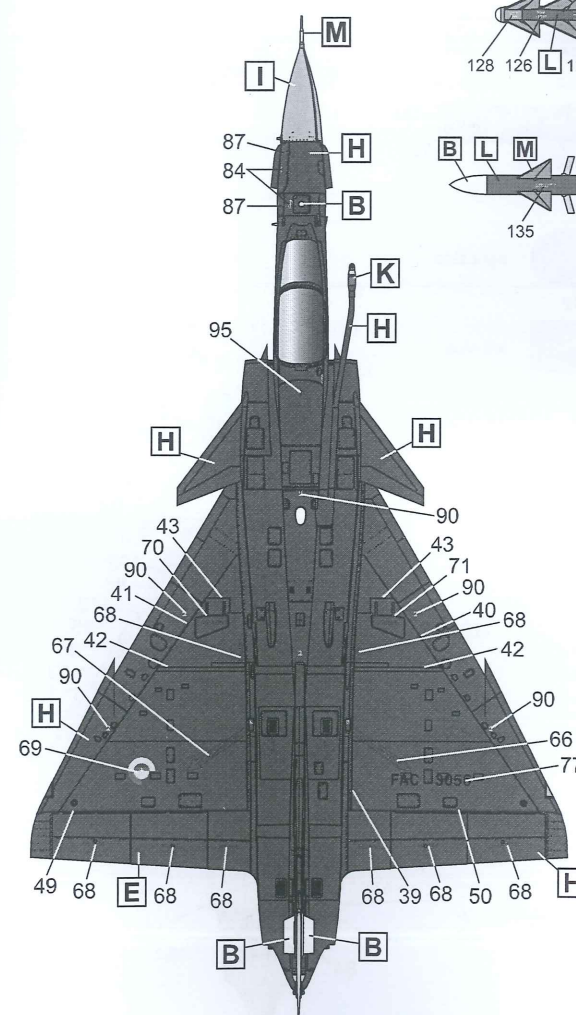
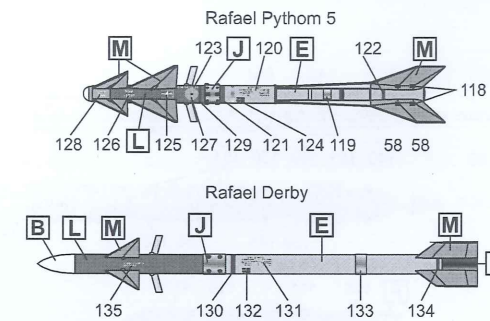
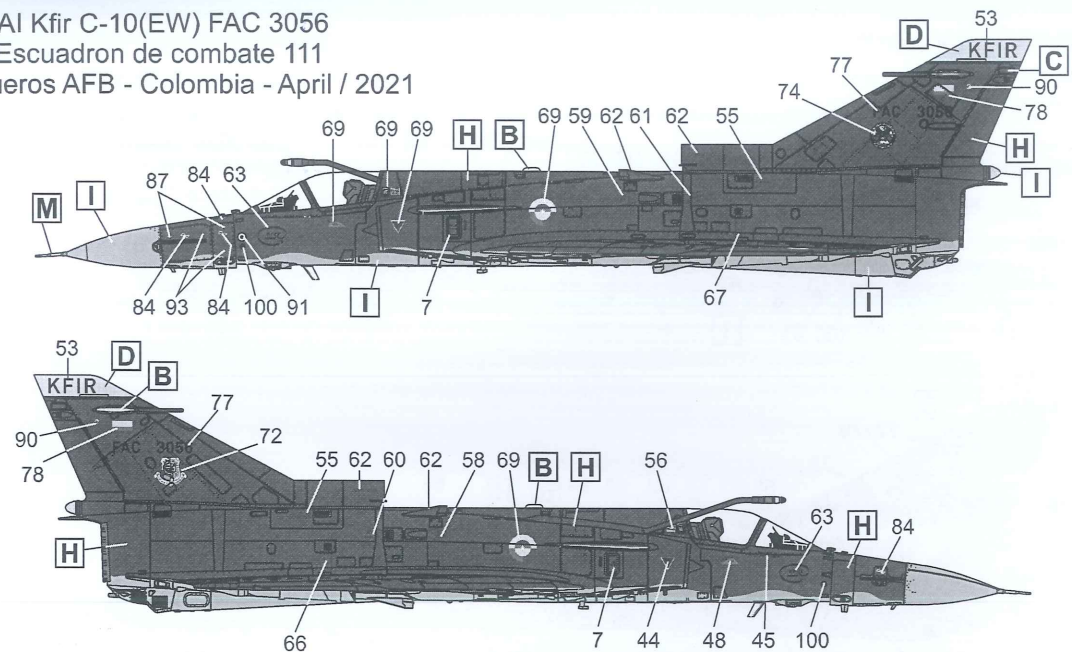
IAI Kfir CE FAE 905
Escuadron de combate 2113
Taura AFB - Ecuador - 2006



A	SATIN BLACK	A.MIG-032
B	WHITE	A.MIG-047
C	RED	A.MIG-049
D	YELLOW	A.MIG-125
E	LIGHT BLUE GRAY	A.MIG-203
F	MEDIUM BLUE GRAY	A.MIG-208
G	RADOME GRAY	A.MIG-211
H	DARK BLUE GRAY	A.MIG-204
I	LIGHT GRAY	A.MIG-226
J	CHROME SILVER	A.MIG-8205
K	GUNSHIP METAL	----
L	METALIC BROWN GRAY	20227
M	METALIC LT BROWN GRAY	10324
N	STEEL	A.MIG-191
O	OLIVE DRAB	A.MIG-926



IAI Kfir C-10(EW) FAC 3056
Escuadron de combate 111
Palanqueros AFB - Colombia - April / 2021



IAI Kfir C-10 FAC 3060
Escuadron de combate 111
RedFlag 2018 participant

